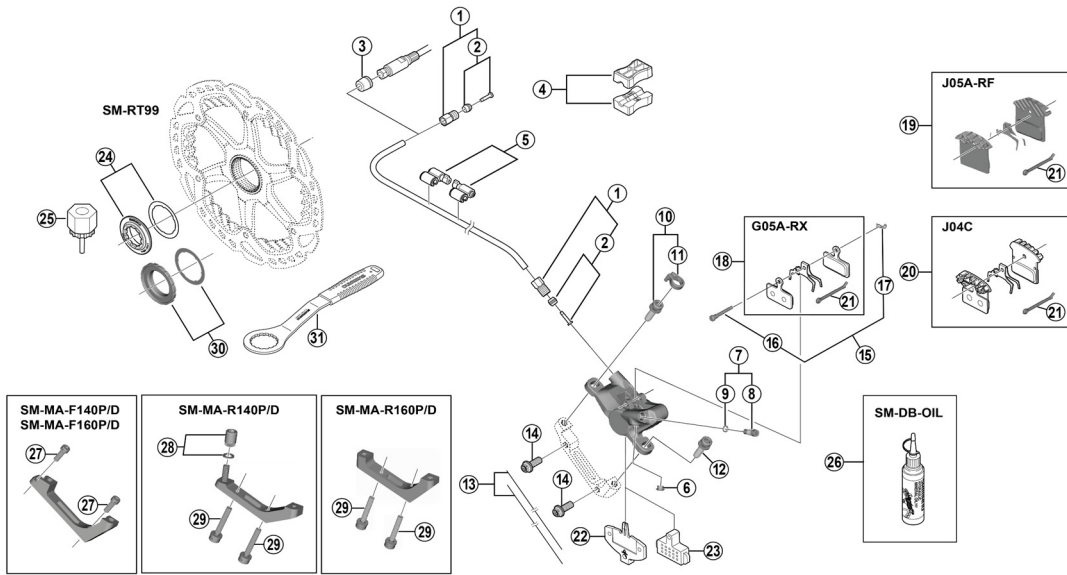


Disc Brake

BR-RS785 Brake Caliper
SM-RT99 Disc Rotor

SM-BH59 Brake Hose



BR-R785

ITEM NO.	SHIMANO CODE NO.	DESCRIPTION	INTERCHANGEABILITY
1	Y8AL98020	Flare nut unit	
2	Y8H298040	Olive and connector insert	
3	Y8H802000	Hose cover for easy hose joint system, not used with easy hose joint direct system	A
4	Y8H198030	TL-BH61 Shimano original tool (2 pcs.)	A
5	Y83098040	SM-HANG Hose supporter A and B	A
6	Y88F06000	Bleed boss cap	
7	Y8LS98030	Bleed screw and nipple seal	
8	Y8VZ07000	Bleed screw	
9	Y8B511001	Bleed nipple seal	A
10	Y8LS98020	Caliper fixing screw (M6 x 18.7) and snap ring	B
11	Y8C511000	Snap ring	A
12	Y8LS05000	Caliper fixing screw (M6 x 18.7)	B
13	Y8B298010	Wire (2 pcs.)	A
14	Y8J721000	Caliper fixing screw (M6 x 15.2)	A
15	Y8J798060	Pad axle and snap retainer	A
16	Y8J710000	Pad axle	A
17	Y8J716000	Snap retainer	A
*	EBPG05ARXA Y2R298010	G05A-RX Resin pad and spring with split pin (pair)	
*	EBPG05ARXBS Y2R298011	G05A-RX Resin pad and spring with split pin (25 pairs)	
*	EBPG05ARXCS Y2R298012	G05A-RX Resin pad and spring with split pin (50 pairs)	
*	EBPJ05ARFA Y2R298020	J05A-RF Resin pad with fin and spring with split pin (pair)	
*	EBPJ05ARFBS Y2R298021	J05A-RF Resin pad with fin and spring with split pin (25 pairs)	
*	IBPJ04CMFA Y8LW98030	J04C Metal pad with fin and spring with split pin (pair)	B
21	Y8DB06100	Split pin	
22	Y8J709000	Pad spacer	A
23	Y8J712000	Bleeding spacer	A
24	Y8K198010	Lock ring and washer	A
25	Y12009230	TL-LR15 Lock ring removal tool	A
*	Y83998020	Mineral oil (100 ml)	A
*	Y83998030	Mineral oil (500 ml)	A
27	Y81741100	Converter fixing screw (M5 x 14)	
28	Y81798020	Caliper fixing nut and washer	
29	Y81743100	Converter fixing screw (M5 x 16.8) for 10 mm rear mount thickness	
	Y81743150	Converter fixing screw (M5 x 21.8) for 15 mm rear mount thickness	
	Y81743200	Converter fixing screw (M5 x 26.8) for 20 mm rear mount thickness	
	Y81743250	Converter fixing screw (M5 x 31.8) for 25 mm rear mount thickness	
	Y81743300	Converter fixing screw (M5 x 36.8) for 30 mm rear mount thickness	
	Y81743350	Converter fixing screw (M5 x 41.8) for 35 mm rear mount thickness	
30	Y26L98030	Lock ring and washer (externally serrated type)	
31	Y13098000	TL-FC36 Lock ring removal tool	

A: Same parts.

B: Parts are usable, but differ in materials, appearance, finish, size, etc.

Absence of mark indicates non-interchangeability.

Specifications are subject to change without notice.

Jul.-2022-3743G

© Shimano Inc. I